

SPECIFICATIONS

Processor	ARM9 32Bit Core CPU @ 400Mhz
Memory	128MB RAM (DDR) / 256 MB FLASH
Software	Linux 2.6.31 Operating System
Keys	Paper Feed & ON/OFF
Printer	2 Inch Thermal Graphic Printer 8 dots/mm 10 meters length 57mm wide paper
Finger Print Scanner	* Capacitive Finger Print Scanner STQC Approved
Smart Card Reader	* Dual Smart Card Reader
SAM	* 1 SAM slot
Communication	Bluetooth ver.2.1 & USB
Battery	Li-ion 7.4V, 2100 mAh

* indicates the optional features

NOTE : DO NOT THROW THE BATTERIES INTO THE DUST BINS, FIRE AND IN OPEN AREAS. PLEASE DISPOSE THEM IN AN ENVIRONMENT FRIENDLY MANNER.

This page left blank
Intentionally

WARRANTY

VISIONTEK 97BT is warranted for a period of 12 months from the date of sale against manufacturing defects. Battery has 6 months warranty. Linkwell Telesystems Pvt. Ltd, obligation under this warranty shall be limited to servicing or replacing the defective parts provided that notice of such defects and satisfactory proof there of is given to Linkwell Telesystems Pvt. Ltd. The warranty does not cover any defect in the product caused by accident, misuse, mishandling, negligence, alteration, modification or substitution of any of the components or parts or any attempt for adjustments, any form of tampering by unauthorized/unskilled service personnel, loss of components or accessories, natural calamities and over voltage of electricity.

Under no circumstances shall Linkwell Telesystems Pvt.Ltd, be liable for any consequential or resulting injury or for loss, damage or expenses directly or indirectly arising from the use of this product Linkwell Telesystems Pvt.Ltd will make every effort to carry out repairs/ replacements under this warranty as early as possible and it is expressly made clear that the company shall not be liable to do so within any specified time or period.

The decision of Linkwell Telesystems Pvt. Ltd. as to the nature of the defect and applicability of this warranty shall be final. Claims if any, to this warranty shall be only made before the courts having jurisdiction in Secunderabad, Telangana.

97BT Variants



Bluetooth Printer



Bluetooth Printer with
Finger Print Scanner



Bluetooth Printer with
Finger Print Scanner &
Dual Smart Card Reader

Linkwell Telesystems Pvt. Ltd.

1-11-252/1B, Behind Shoppers Stop, Begumpet, Hyderabad - 500 016. Telangana, INDIA.

Ph. : +91-40-66388000 | Fax : +91-40-66388006, 27763838

CIN No : U64203TG1993PTC015875

info@visiontek.co.in | www.visiontek.co.in

BRANCHES : BANGALORE | BHOPAL | CHENNAI | DELHI | KOLKATTA | MUMBAI | RANCHI

www.visiontek.co.in

VISIONTEK



Product from
An ISO 9001:2015 & ISO 14001:2004 Certified Company

User's Manual Rev.1.1

97BT Bluetooth Printer

Congratulations !!! We thank you for purchasing the VISIONTEK 97BT Bluetooth Printer. This User's manual will help you in knowing all the features of the system including Installations, Operational and Installation procedures in a step by step manner. Please keep this manual handy for easy reference.

Note: The specific options are factory configured as per your order. Parts of this manual pertaining to other variants and options may not be applicable to your particular VISIONTEK 97BT Bluetooth Printer.

- 1 Introduction
- 2 Installation
- 3 Operation

1 Introduction

VISIONTEK has developed a very versatile Blue tooth & USB compatible printer, a brilliant breakthrough in cable-free printing for mobile applications. The printer works with any of the programmable cellular phones, PDAs, Tablets, Laptop or PC, Kiosks, Digital Cameras through USB port or through wireless Bluetooth. Innovative and affordable, VISIONTEK Bluetooth Printer is a user programmable versatile device with optional peripherals like STQC certified finger print scanner, optional dual contact card reader etc.

IMPORTANT SAFETY INFORMATION

To protect yourself and your VISIONTEK 97BT Bluetooth Printer against electrical shock, fire, power surges and other risks, follow all pre-cautions during usage.

Instructions and Cautions :

- Never install the VISIONTEK 97BT Bluetooth Printer in the following places:
 - Exposed to direct sunlight, moist, hot or dusty environment.
 - Unstable or vibrating places.
 - Near flammable liquid or gas.
 - Near large appliances Viz. A.C, Fridge, etc.
 - Near electric apparatus such as radios and TV's.
 - Near magnetic bodies such as audio speakers.
- Place the finger exactly on the "Scanning Area" of the finger print device.
- Avoid using the bluetooth printer during lightning / storms.
- Do not use liquid or aerosol cleaners for cleaning.
- Do not disassemble or modify your 97BT Bluetooth Printer.
- Do not open the cover of the 97BT Bluetooth Printer during operation.
- Do not expose the bluetooth printer to metal objects.
- Do not yank the power cord or place anything on the power cord.
- Do not pull the power plug with wet hands.
- Do not try to charge the battery with other chargers.
- Do not expose to rain or water.

Note : Do not tamper or remove any stickers on the VISIONTEK 97BT Bluetooth Printer. It may void the warranty on the unit and weaken tamper detection.

CONTENTS OF SHIPPING CARTON

When you unpack the shipping carton you should find :

- VISIONTEK 97BT Bluetooth Printer with battery pack - Fig 1a.
- Thermal Paper Roll (10 meters) - Fig 1b.
- Console Cable - Fig 1c.
- DC Adapter - Fig 1d.

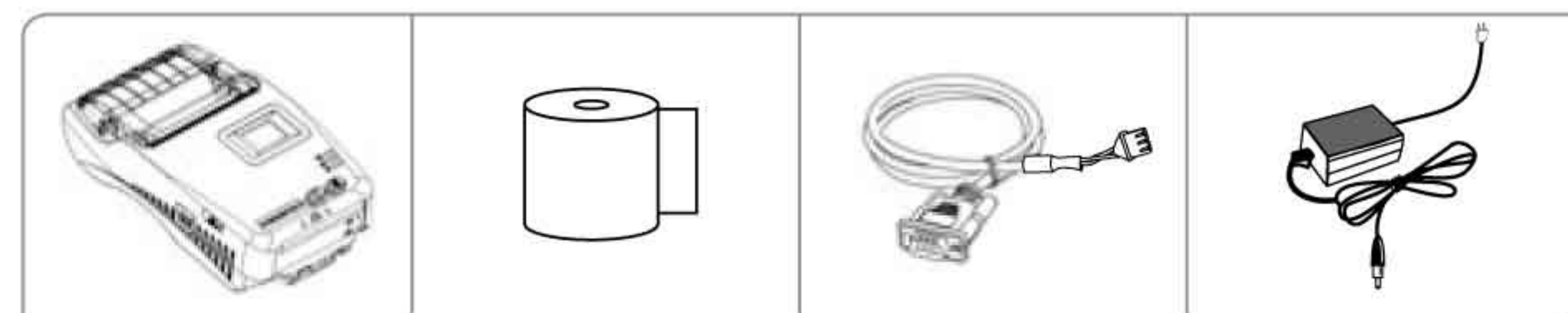


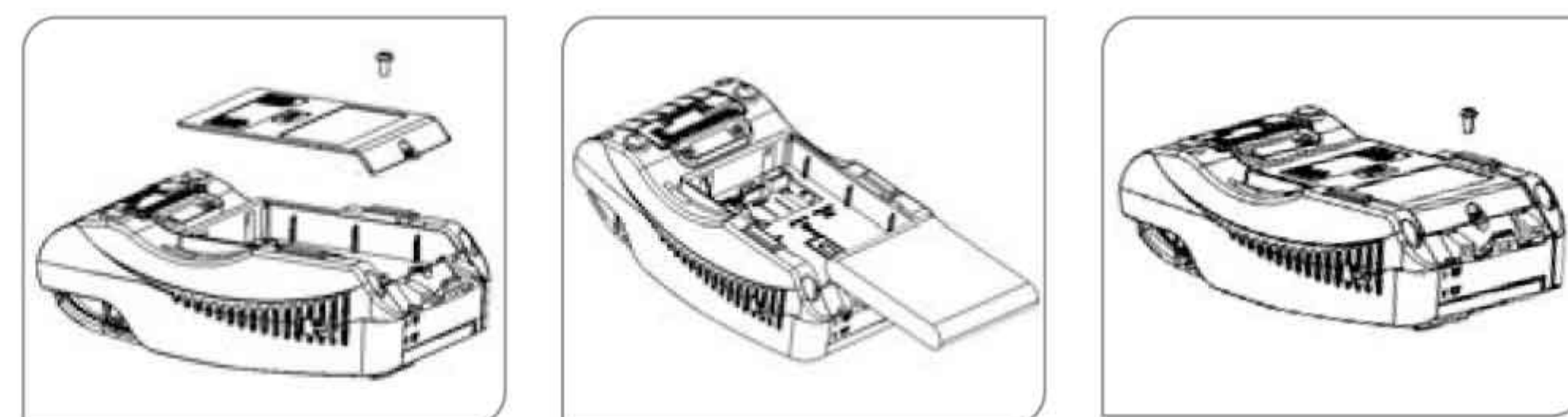
Fig.1a. Fig.1b. Fig.1c. Fig.1d.

2 Installation

HANDLING OF THE BATTERY

Battery Removal : Open the screw on the bottom side and remove the plate by pushing downwards. Slowly remove the battery connection out of the bluetooth printer.

Battery Insertion : While inserting the battery, observe the battery connector colour & notation carefully and insert into the given slot correctly. Then place the bottom plate, push it upwards and screw it.



Step 1 Remove the battery pack Step 2 Install new battery if required Step 3 Close the battery cover

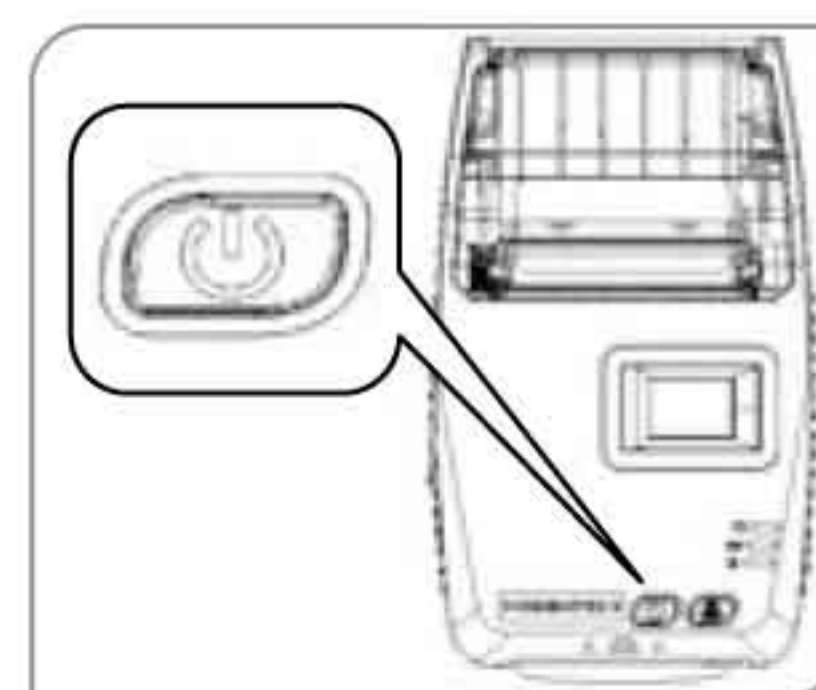
WARNING

- Do not dispose the battery in fire.
- Dispose used batteries in accordance with local recycling regulations.
- Do not remove the battery while in operation.

SWITCHING ON THE BLUETOOTH PRINTER

Power Switch :

The power ON/OFF key is at top side as shown in the figure. To power up the bluetooth printer, press the ON/OFF key for 1.5 seconds and release. Hold the ON/OFF key for 3 seconds to power off the bluetooth printer.

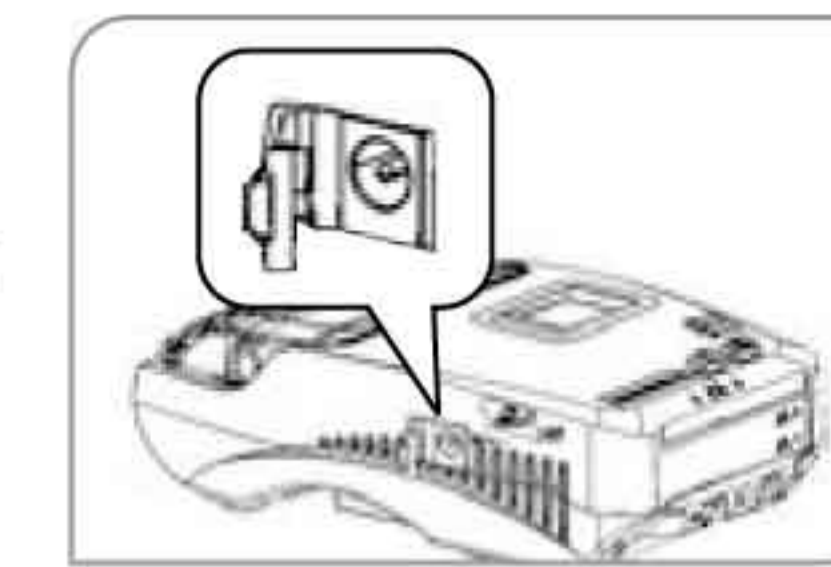


CONNECTING THE DC ADAPTER

Insert the DC Adapter's 9V DC output cable into the bluetooth printer DC power connector socket located on left side of the 97BT as shown in the Figure.

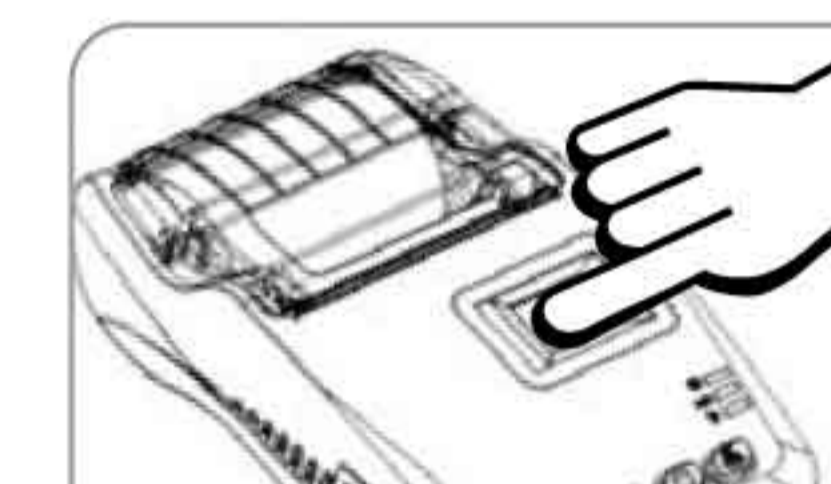
Plug the DC power adapter's mains power plug into a standard AC Socket 100-240V, 50/60Hz DC output 9V, 2.2A.

Note : Even if the bluetooth printer is not switched ON, the battery in the bluetooth printer will be charged when ever the DC Adapter power is available.



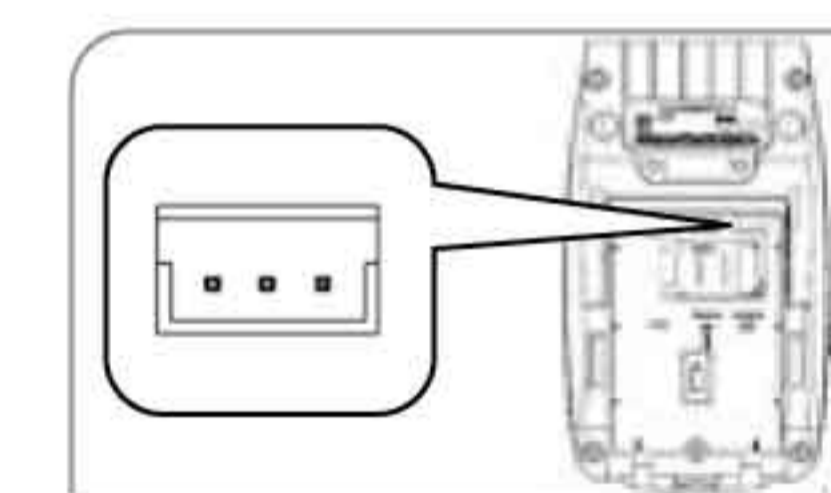
FINGER PRINT SCANNER

Place the finger exactly on the "Scanning Area" of the finger print device.



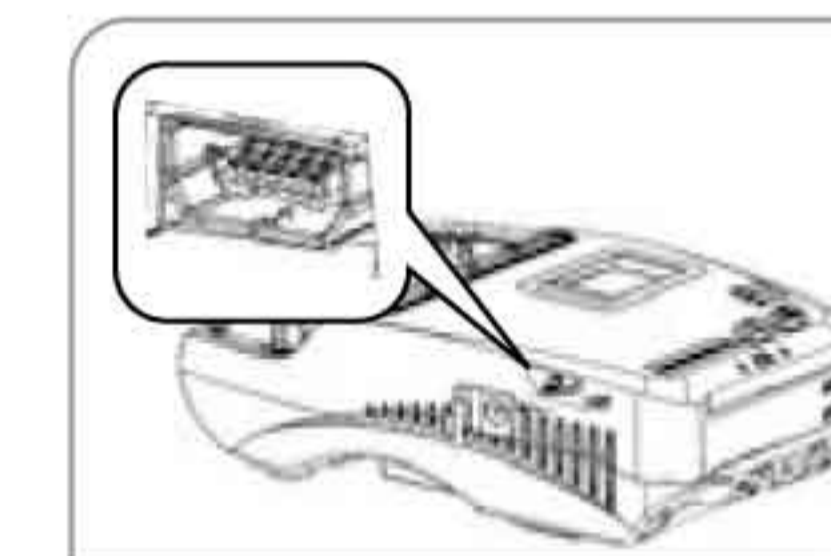
Connecting Serial Interface RS-232

Open the screw on the bottom side and remove the plate by pushing downwards, Insert the Console Cable end plug into the 3 pin Black colored connector as shown in the figure.



Connecting Serial Interface "USB HOST"

Insert the HOST Cable end plug into Socket which is located on left side marked "mini-A"



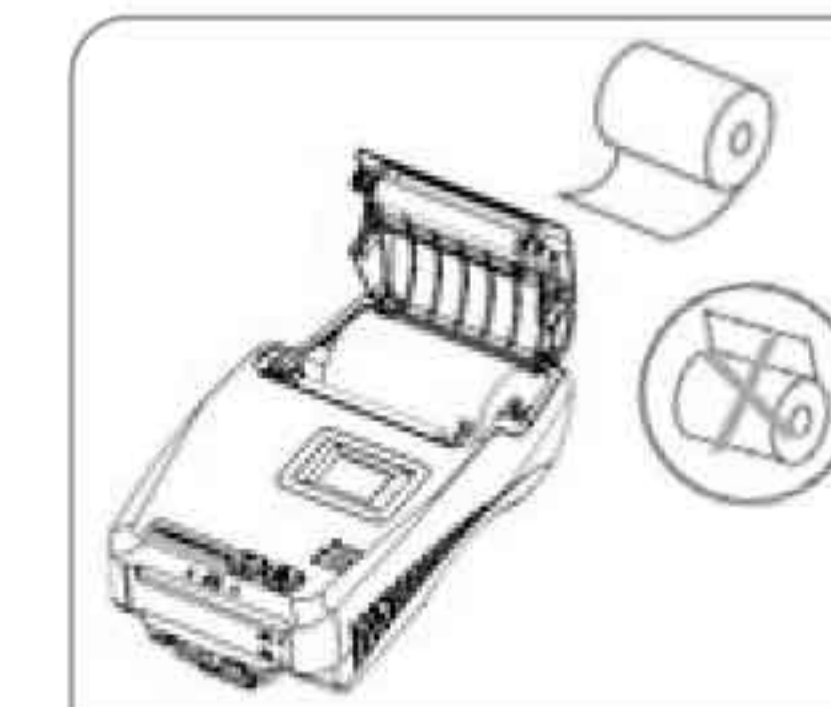
LOADING THE THERMAL PAPER ROLL

Unlock the printer cover and then open the cover towards top side.

Place a roll of thermal paper (10 meter) in its shaft and place it in housing as shown in the figure below.

Hold the extreme end of the paper roll by keeping a few centimeters of thermal paper out of the paper roller of the printer cover, Ensure paper in its proper place and close the printer cover.

Gently lock the printer cover.



3 Operation

USING SMART CARDS

Smart Cards :

Insert the smart card (chip end first and chip should face on top side) into the opening provided for the reader on VISIONTEK 97BT front panel as shown in the picture.

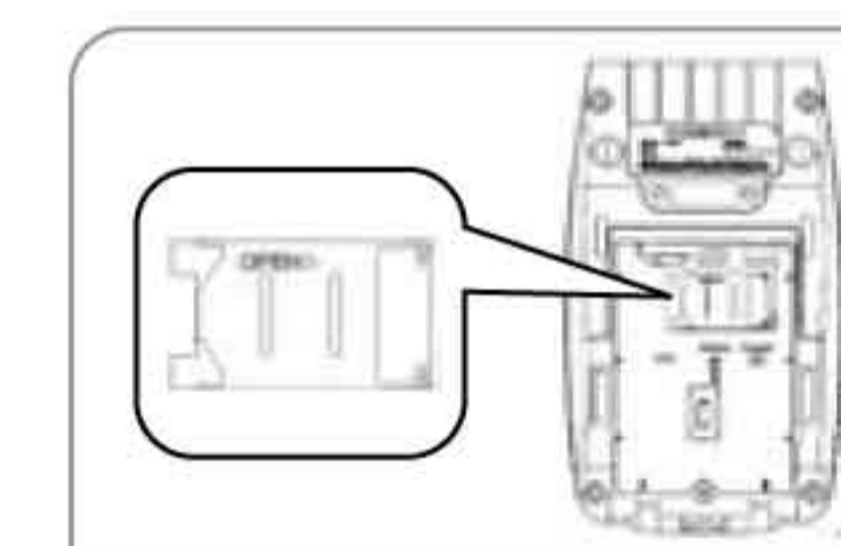
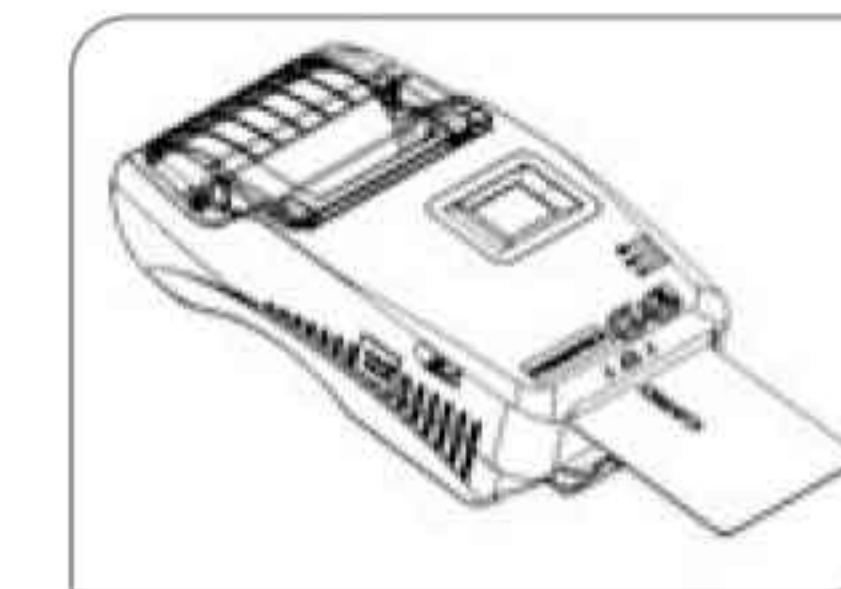
For guidance, most smart cards will have directional guide arrows engraved or inscribed on the cards.

In-built Dual Smart Card Reader**.

Precautions : 1. Change/Charge the battery when it indicates low battery (when it produces the beep sound.)
2. For Bluetooth operations, Finger print scanners and for Smart Card Applications, the battery voltage should be above cut off voltage.

SAM Card :

VISIONTEK 97BT has 1 SAM slot.



TROUBLE SHOOTING

Sl.No.	Problem	Remedy
01.	If power on LED (i.e RED LED) is not glowing then	<ol style="list-style-type: none"> Check the battery voltage Check the contact of the battery Make sure the power cord is properly plugged into power outlet. Connect another electrical appliance to the outlet to see if the power from the outlet is present.
02.	Printer Not Working	<ol style="list-style-type: none"> Check the paper and its position Verify the printer cover Check the Battery Status
03.	Battery	<ol style="list-style-type: none"> Green LED ON indicates Battery charging is in progress. Green LED OFF indicates Battery charging completed. Buzzer sound indicates Battery too low, need to be charged.